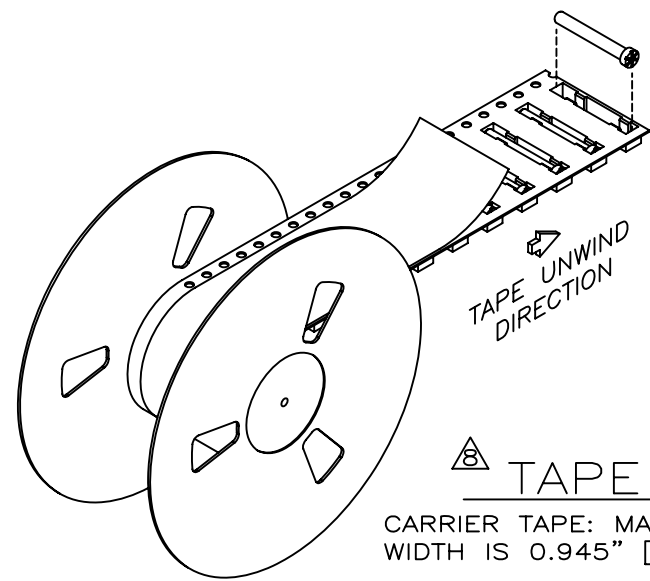
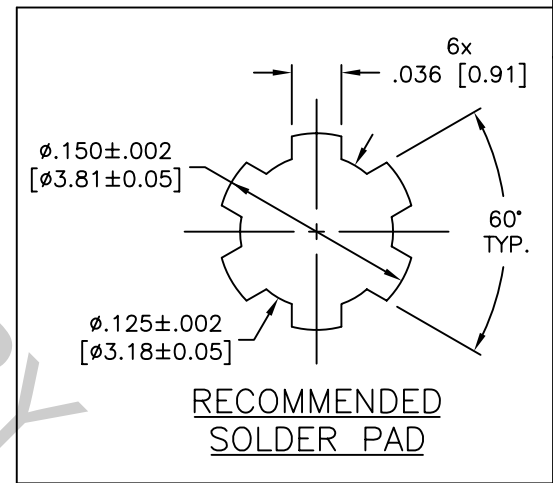
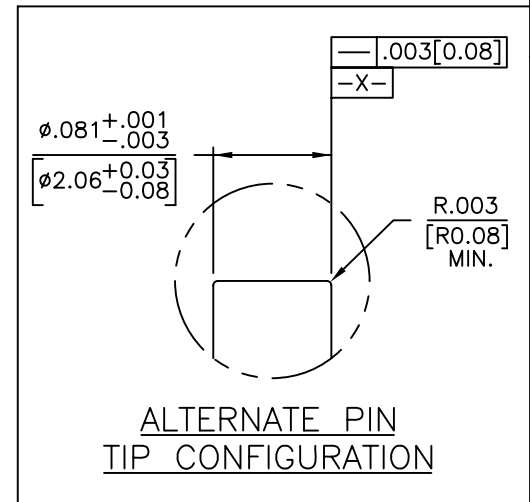
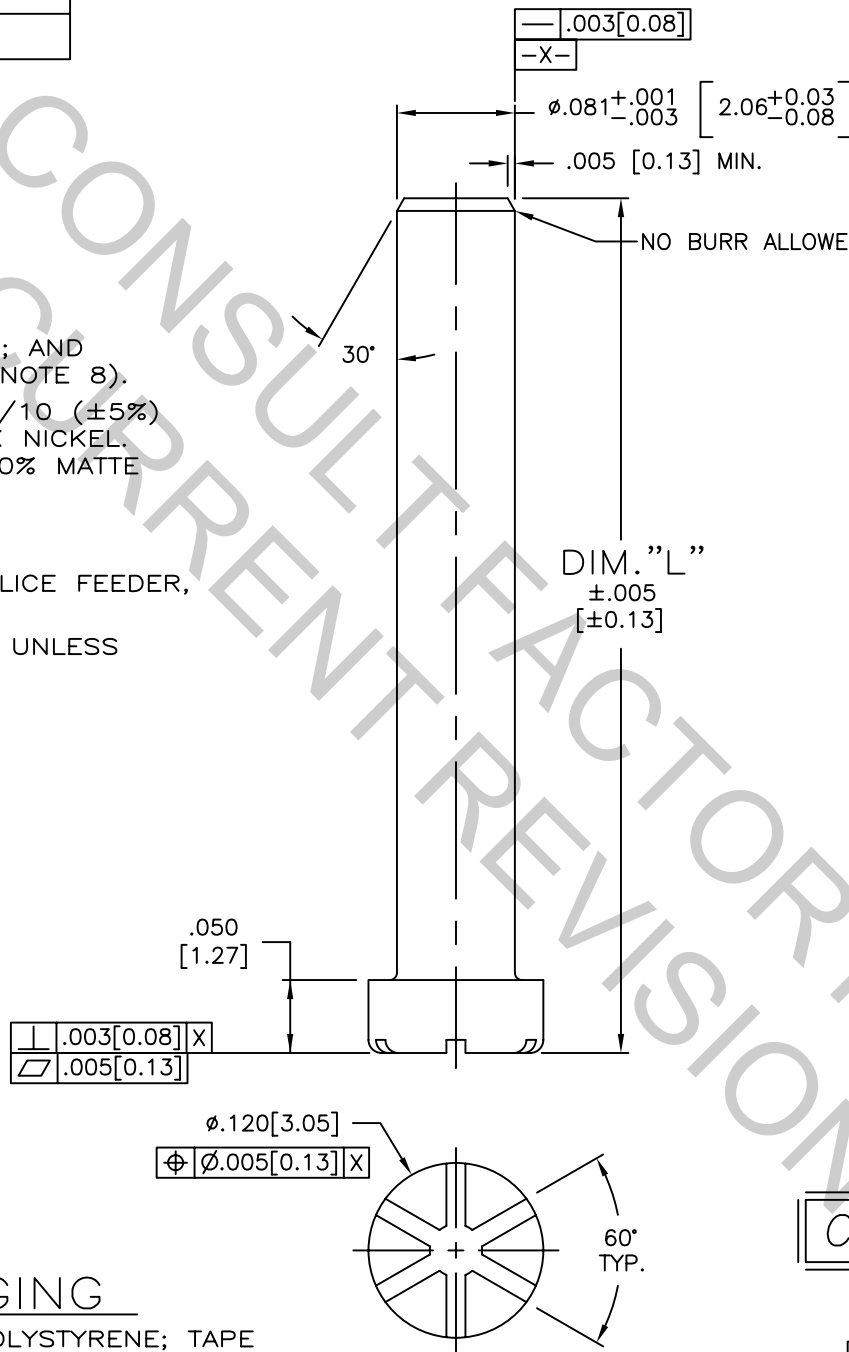


PART NO.	DIM."L"	PKG.	FINISH	PIN TIP
9-S18141670LLL	.670 [17.02]	"L"	"LL"	STD.
9-S18141670TLL	.670 [17.02]	"T"	"LL"	STD.
9-S18141610LLL	.610 [15.49]	"L"	"LL"	STD.
9-S18141610TLL	.610 [15.49]	"T"	"LL"	STD.
9-S18141630LTT	.630 [16.00]	"L"	"TT"	STD.
9-S18141630TTT	.630 [16.00]	"T"	"TT"	STD.

REV	REVISION RECORD	ECN	BY	APVD	DATE
A	RELEASE TO PRODUCTION	501951	GLT	MS	03-12-02
B	DELETED PLATING OPTION "AA"	502087	GLT	MS	04-09-02
C	ADDED PLATING "TT" TO FINISH NOTE; ADDED ADDED OAL's .610 & .630; REVISED TIP CONFIGURATION; ADDED P/N's 9-S18141610LLL, 9-S18141610TLL, 9-S18141630LTT, & 9-S18141630TTT	503119	GLT	SF	02-22-04
D	DELETED A/S PLATING SPEC. NO.'s; CHANGED NOTE 5: 2,000 PINS LOOSE-PC. WAS 5,000	503374	GLT	MS	05-24-04
E	ADDED "BB" PART PER 105103	504663	RJB	PVB	06-30-06
F	REMOVED "BB" PART EWR 105867	505339	RJB	PVB	05-14-08

NOTES: (UNLESS INDICATED OTHERWISE)

- INTERPRET DRAWING IN ACCORDANCE WITH ANSI Y14.5M-1982.
- ALL PIN DIMENSIONS ARE AFTER PLATING.
- MATERIAL: C10200 COPPER.
- ALL FILLETS AND RADII SHALL BE .005-.010 [0.13-0.25].
- PACKAGING: "L" = 2,000 PINS LOOSE PIECE IN A POLYBAG (NOT SHOWN); AND "T" = 2,500 PINS IN TAPE & REEL PER EIA STD-481 (SEE NOTE 8).
- FINISH: "LL" = POST PLATED, .000300-.000500 [0.008-0.013] THICK 90/10 (±5%) TIN-LEAD OVER .000050-.000150 [0.0013-0.0038] THICK NICKEL. "TT" = POST PLATED, .000300-.000500 [0.008-0.013] THICK 100% MATTE TIN OVER .000100-.000200 [0.003-0.005] THICK NICKEL.
- PIN SOLDERABILITY PER IPC/EIA J-STD-002.
- THE PLACEMENT OF PINS ONTO A P.C. BOARD MAY REQUIRE AN AUTOSPlice FEEDER, CONSULT FACTORY FOR AVAILABILITY.
- PINS SHALL BE MANUFACTURED WITH THE STANDARD TIP CONFIGURATION UNLESS INDICATED OTHERWISE.



TAPE & REEL PACKAGING

CARRIER TAPE: MATERIAL IS BLACK, ANTI-STATIC POLYSTYRENE; TAPE WIDTH IS 0.945" [24.0mm], & POCKET PITCH IS 0.315" [8.0mm].

COVER TAPE: MATERIAL IS ANTI-STATIC, POLYESTER FILM.

REELS: FLANGES ARE 0.130" [0.330.2mm] & MATERIAL IS PLASTIC.

TAPE LEADER: A MINIMUM OF 25 EMPTY POCKETS OF SEALED CARRIER TAPE WITH ANOTHER 32.0" [812.8mm] OF COVER TAPE EXTENDING BEYOND THAT.

TAPE TRAILER: A MINIMUM OF 25 EMPTY POCKETS OF SEALED CARRIER TAPE.

CUSTOMER DRAWING

This drawing and the information set forth hereon are the property of AutosplICE, Inc. and are to be held in trust and confidence. Publication, duplication, disclosure, or use for any purpose not expressly authorized in writing by AutosplICE, Inc. is prohibited.

TOLERANCES
UNLESS OTHERWISE SPECIFIED ALL DIMS. IN INCHES[MM]
DECIMALS: .XX = ±0.01
[X.X] = ±0.03
.XXX = ±0.004
[X.XX] = ±0.10
ANGULAR: ±5°
◇ DENOTES SPECIAL CHARACTERISTIC

autosplICE © 10121 Barnes Canyon Road San Diego, California 92121 (858) 535-0077		AUTOSPlice INC.	
THIRD ANGLE PROJECTION	DRAWN BY: JOE	DATE: 4-25-01	
	ENGINEERED BY: BIANCA	DATE: 4-25-01	
TITLE: SURFACE MOUNT PIN, 0.081 TREADHEAD, STRAIGHT			
SIZE: C	FSCM NO. 0AE89	DRAWING NUMBER: C9-S18141	REVISION: F
SCALE: - CAD FILE NO. C9-S18141 f.dwg SHEET 1 OF 1			